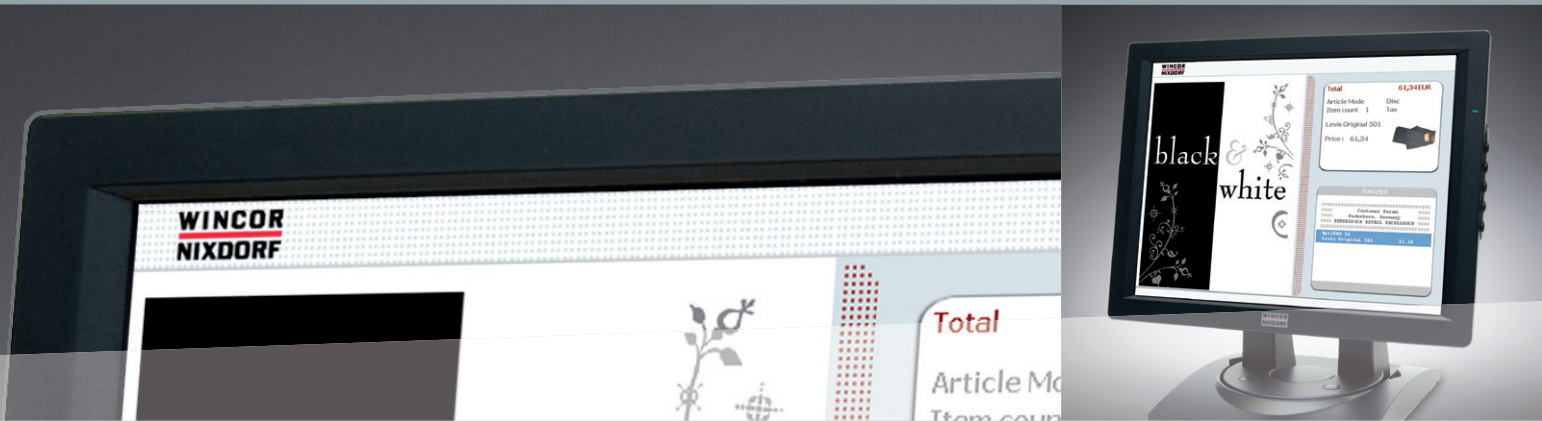


# BA71R-3



## 10.4" LED TFT Monitor

### The ideal customer display

With the BA71R-3 Wincor Nixdorf offers a modern customer display ideal for POS applications.

### Ergonomic display

The BA71R-3 has a bright 10.4" panel with LED backlight which produces perfect readable user interfaces or receipt information under all light conditions.

### Protective glass

A protective glass on top of the TFT panel gives this 10.4" display the durability as customers know from the larger operator displays.

### Various mounting options

The various mounting options of the BA71R-3 (stand and pole mount) allow a perfect positioning of the display towards customer in all POS scenarios.

### Solutions

The screen can be used with software scale solutions which overlay the weight information to the original screen content. In this application there is no more need for a dedicated display of the checkout scale.

The BA71R-3 can also be used as operator display for applications that require no touch.



**TECHNICAL DATA**

**Dimensions**

- Diagonal screen size: 10.4"
- Active screen size (horizontal x vertical): 211.2 x 158.4 mm
- Cable length: up to 5 m
- Housing: 229 x 251.2 x 98.5 mm

**Weight**

- Without stand: 1.7 kg
- With stand: 2.0 kg

**Climate class**

- IEC 721 3/3 Class 3K3

**Operating temperature**

- +5°C - +40° C

**Humidity**

- 5% - 85%
- Absolute humidity: 1g/m<sup>3</sup> - 25g/m<sup>3</sup>
- Condensation is not permitted

**Frequencies**

- Horizontal (KHz): 31kHz - 60kHz
- Vertical (Hz): 56Hz - 75Hz

**Resolution**

- Horizontal: 800 pixel
- Vertical: 600 pixel
- Color depth: 16.7 Mio (24Bit)

**Pixel format**

- 0.26 mm x 0.26 mm

**Interface**

- VGA, DVI-I

**Power consumption**

- Typ./ Factory settings: < 7.5 W
- Standby: < 0.5 W
- Soft off: < 0.5 W

**Reading angle**

- Right/left: 80°/80°
- Top/bottom: 60°/70°

**Brightness typ.**

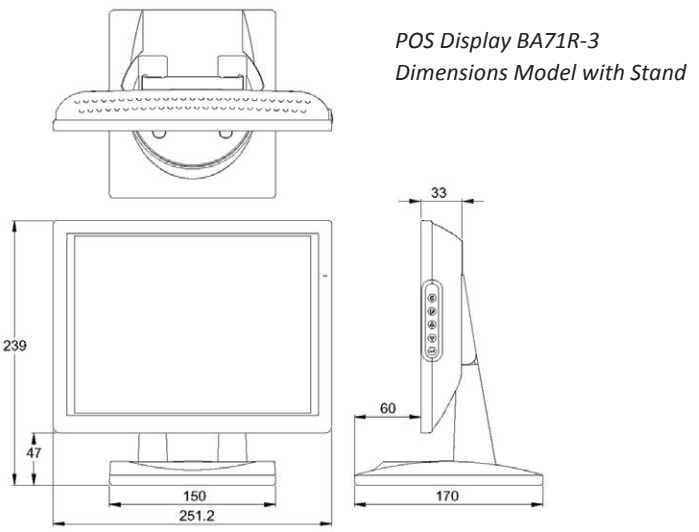
- Panel: 230 cd/m<sup>2</sup>
- Non-touch: 200 cd/m<sup>2</sup>

**Backlight**

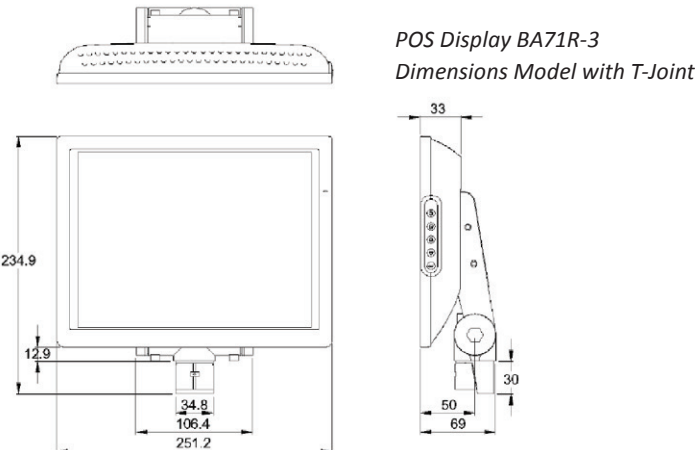
- LED

**Services**

Wincor Nixdorf's fast, professional manufacturer service is available as an option for the BA71R-3 as part of the complete solution offer. Tailored services enable the highest possible system availability and security worldwide due to standardized service processes and efficient remote management based on the Wincor Nixdorf eServices Platform®.



POS Display BA71R-3  
Dimensions Model with Stand



POS Display BA71R-3  
Dimensions Model with T-Joint

Published by  
**Wincor Nixdorf International GmbH**  
 Heinz-Nixdorf-Ring 1  
 33106 Paderborn  
 Germany  
 Phone: +49 (0) 52 51 / 6 93-30  
 Fax: +49 (0) 52 51 / 6 93-77 30  
 info@wincor-nixdorf.com  
 www.wincor-nixdorf.com

© Wincor Nixdorf International GmbH

Printed in Germany, May 2013